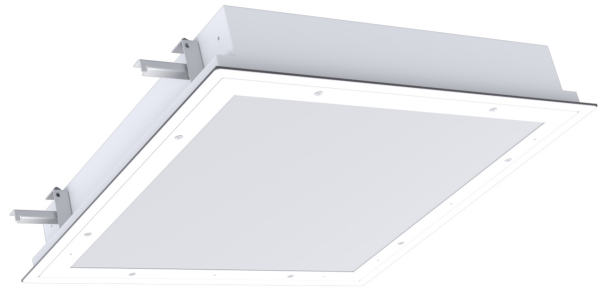


VSG Surgical/Cleanroom Troffer



Application: The Vyv VSG Surgical/Cleanroom Troffer is a recessed IC-rated luminaire suitable for grid and flanged surgical/operating room applications. This luminaire features a symmetrical/asymmetrical lens for precise optical control and is triple gasketed for a reliable seal.

Mode Switching: Use 'Antimicrobial+Light Mode' when both continuous antimicrobial action and illumination are needed and 'Enhanced Antimicrobial Mode,' which emits a higher dosage of Vyv's antimicrobial wavelengths, as an antimicrobial cleaning mode for when full illumination is not required. See installation instructions (INS-400) for wiring details.

Product Specifications

Housing: Precision formed 20 gauge cold rolled steel housing with no visible, external hardware.

Mounting: Flange installation is supported by swing style mounting brackets. Grid installation suitable for 1" and 1.5" T-bar ceilings. See ordering key for additional 2" T-Bar support (option TBAR2).

Door Frame: One piece door frame, fabricated from 18 gauge, cold rolled steel with TIG welded corners. It is retained by stainless steel aircraft cables. Flat head, stainless steel, capacitive fasteners with integral silicone o-rings easily secure door frame to housing. Gasket seals door frame to housing.

Lens: Frosted high impact acrylic lens. Other lens options available. (See Ordering Key)

Finish: The luminaire is a powder painted white finish and offers a high reflectivity coating for improved lighting performance and efficiency. Antimicrobial finish is standard.

Electrical: All electrical components are UL approved. Long life LEDs coupled with high efficiency drivers provide quality illumination. The standard driver has a THD of <20%. Standard low-voltage dimming (0-10v, 1%). A ½" EMT hole is provided for wiring connections.

LED: Patented Vyv LED package. The range of CCT (correlated color temperature) follows the color uniformity guidelines of the American National Standard regarding specifications for the chromaticity of solid-state lighting (SSL) products as per ANSI C78.377-2017.

Approvals: UL listed to CSA and UL standards for insulated ceilings and wet location. Certified IP65 and Certified NSF2. MIL STD 461G Certified. Cleanroom class ISO3-8. EPA Est. 94831-CAN-1. Covered by one or more of the following U.S. Patent Numbers: 9,333,274; 9,439,989; 9,713,223; 9,927,097; 10,357,582; 10,753,575



Ordering

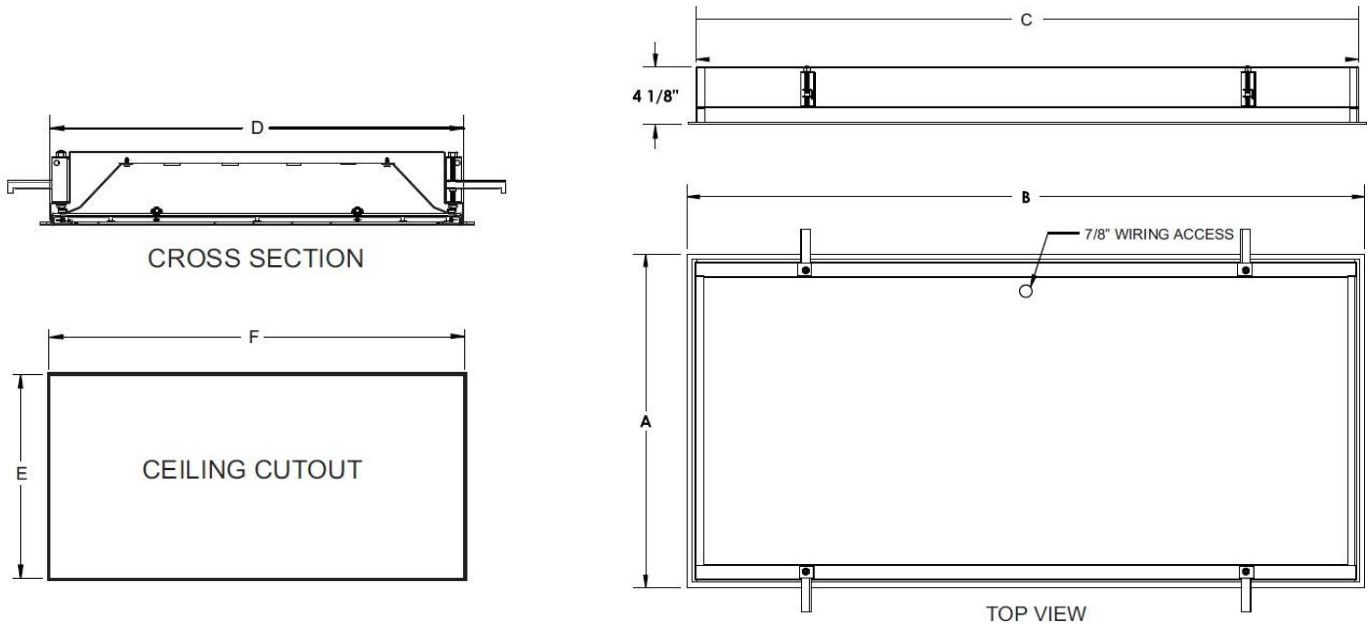
Project: _____ Date: _____
 Luminaire Type: _____ Approved By: _____
 Product Code: _____

Series	Size	CRI	CCT	Lumens	Voltage	Features	Options
VSG							
	14 1'x4'	80 80 CRI	30 3000K	1'x4' Lumen Options	UNV 120-277V	N Dual Mode (Antimicrobial+Light Mode & Enhanced Antimicrobial Mode) W Antimicrobial +Light Mode	Driver EBP Emergency Lighting Battery Pack Lens L106 Symmetric/ Asymmetric Acrylic Lens L13 0.125 Prismatic Acrylic Finish ABF Matte White Antimicrobial Door Style I Inset O Overlapping Housing TBAR2 Mounting kit for 2" T-bar Ceiling Lighting GLED Green LED Channel**
	22 2'x2'	90 90 CRI*	35 3500K	05 5,000lm	347 347V		
	24 2'x4'		40 4000K	2'x2' Lumen Options 05 5,000lm 2'x4' Lumen Options 10 10,000lm			

*90 CRI available upon request, contact Vyv sales for details.
 **Consult Factory for Details.

Basic Dimensions

Consult installation instructions for exact dimensions.



Dimensions

	A	B	C	D	E	F
1'x4'	11 3/4"	47 3/4"	46 9/16"	10 11/16"	10 7/8"	46 7/8"
2'x2'	23 3/4"	23 3/4"	22 9/16"	22 11/16"	22 7/8"	22 7/8"
2'x4'	23 3/4"	47 3/4"	46 9/16"	22 11/16"	22 7/8"	46 7/8"

Electrical

Input Frequency	50/60Hz
Power Factor	>.9
Control	On/Off via standard light switch Antimicrobial+Light Mode to Enhanced Antimicrobial Mode (optional) via low voltage switch or controls.

Performance

Size	Lumens	CRI	Watts
1'x4'	5,000	80	85
2'x2'	5,000	80	85
2'x4'	10,000	80	170

*90+CRI reduces lumen output by 20%.
 Vyv will work with your facility to customize a design for lighting and antimicrobial action.
 Vyv, Inc. reserves the right to upgrade and improve products without notice.

SPECIFICATIONS AND DATA SUBJECT TO CHANGE WITHOUT NOTICE

Updated September 22, 2021