

VSRW Recessed Wet Location Troffer



Application: The Vyv VSRW Recessed Wet Location Troffer is an enclosed and gasketed luminaire. This IC-rated luminaire's welded steel housing, shallow design and dust and moisture resistance, make it ideal for use with indoor and outdoor (canopy) applications that require a wet location recessed lay-in T-Bar/Drywall luminaire with a door frame.

Mode Switching: Use 'Antimicrobial+Light Mode' when both continuous antimicrobial action and illumination are needed and 'Enhanced Antimicrobial Mode,' which emits a higher dosage of Vyv's antimicrobial wavelengths, as an antimicrobial cleaning mode for when full illumination is not required. See installation instructions (INS-406) for wiring details.

Product Specifications

Housing: Die-formed and spot welded, steel housing assembly and 20 gauge steel door frame. Triple gasketed with sealed lens, gasketed door frame assembly and gasketed housing flange.

Mounting: Holes provided for chain-mounting support to building structure. Lay-in type luminaire for exposed grid type acoustical ceiling structure and swing style mounting brackets for drywall ceiling installation.

Finish: White, polyester powder painted housing.

Lens: One piece perimeter door frame with inverted frosted, prismatic pattern #12, sealed acrylic lens. Other lenses available (see options).

Electrical: Long life LEDs coupled with high efficiency drivers provide quality illumination.

LED: Vyv single diode LED package with proprietary die and phosphor recipe.

Approvals: Approved to UL standards. Suitable for wet locations.



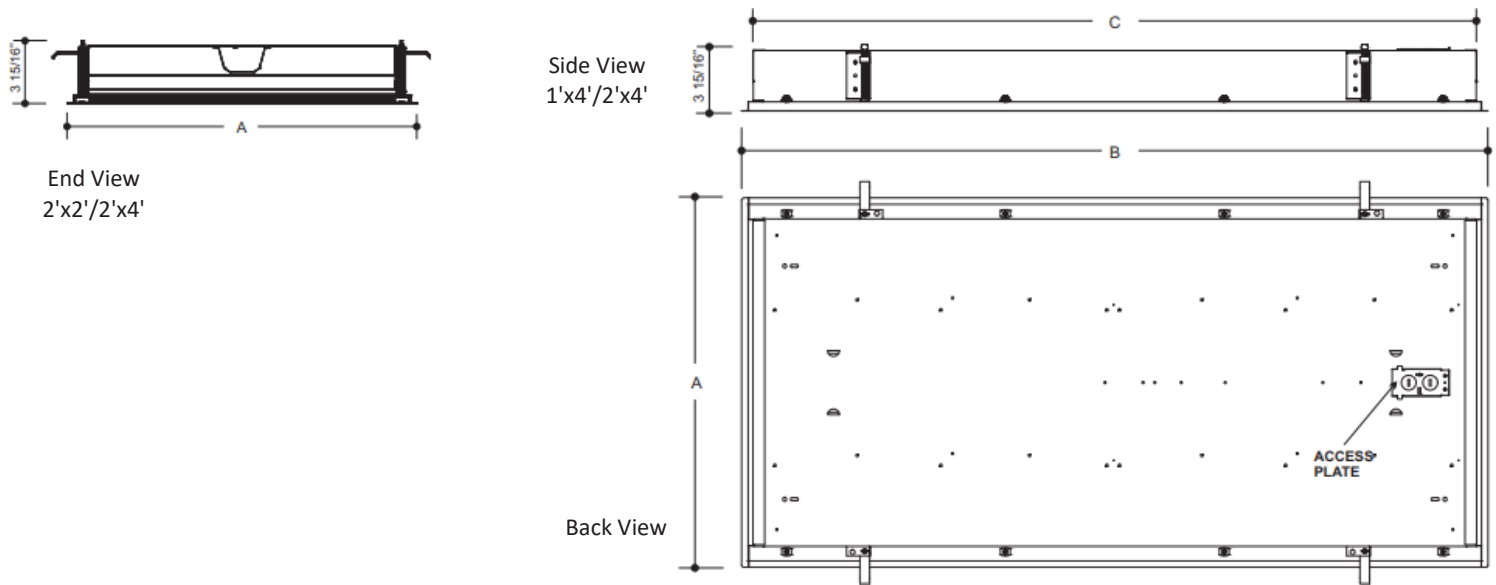
Ordering

Project: _____ Date: _____
 Luminaire Type: _____ Approved By: _____
 Product Code: _____

Series	Size	CRI	CCT	Lumens	Voltage	Features	Options
VSRW		80					
	14 1'x4'	80 80 CRI	30 3000K	1'x4' Lumen Options	UNV 120-277V	N Dual Mode	Driver
	22 2'x2'		40 4000K	04 4,000lm	347 347V	W Antimicrobial +Light Mode	EBP Emergency Lighting Battery Pack
	24 2'x4'			2'x2' Lumen Options			Lens
				04 4,000lm			L13 Clear Prismatic Acrylic Lens (0.125" Thick)
				2'x4' Lumen Options			L82 White Translucent Acrylic
				04 4,000lm			L97 Frosted Pattern 19 Acrylic (0.156" Thick)
				08 8,000lm			Packaging
							S1 Pack Bulk/ Pallet Packed and/or Wrapped
							Approval
							X5 NSF* (National Sanitation Foundation) Compliant

Basic Dimensions

Consult installation instructions for exact dimensions.



Dimensions

MODEL	A	B	C
1'x4'	11 3/4"	47 3/4"	46 5/16"
2'x2'	23 3/4"	23 3/4"	22 5/16"
2'x4'	23 3/4"	47 3/4"	46 5/16"

Electrical

Input Frequency	50/60Hz
Power Factor	>.9
Control	On/Off via standard light switch Antimicrobial+Light Mode to Enhanced Antimicrobial Mode (optional) via low voltage switch or controls.

Performance

Size	Lumens	CRI	Watts
1'x4'	4,000	80	80
2'x2'	4,000	80	80
2'x4'	4,000	80	80
2'x4'	8,000	80	160

*Contact factory for price/delivery details.
 Vyv will work with your facility to customize a design for lighting and antimicrobial action.
 Vyv, Inc. reserves the right to upgrade and improve products without notice.

SPECIFICATIONS AND DATA SUBJECT TO CHANGE WITHOUT NOTICE

Updated April 4, 2021