

## VS72 Linear Luminaire



**Application:** The Vyv VS72 Linear Luminaire provides sleek lighting for both individual and continuous runs in indoor applications. Available with multiple mounting options.

**Mode Switching:** Use 'Antimicrobial+Light Mode' when both continuous antimicrobial action and illumination are needed and 'Enhanced Antimicrobial Mode,' which emits a higher dosage of Vyv's antimicrobial wavelengths, as an antimicrobial cleaning mode for when full illumination is not required. See installation instructions (INS-419) for wiring details.

## Product Specifications

**Lens:** Microlinear frosted lens is standard. Available in Round or Square.

**Housing:** The VS72 is constructed from die formed cold rolled steel.

**Finish:** White Antimicrobial Polyester Powder Coat Standard.

**Electrical:** LEDs coupled with high efficiency drivers provide quality illumination. Fixtures supplied with 0-10V dimming\* down to 1% as standard. Other dimming options are available (Consult Factory).

**LED:** Vyv single diode LED package with proprietary die and phosphor recipe.

**Approvals:** Fixtures are cETLus listed for Damp Location.

*\*Dimming can reduce antimicrobial dosage below recommended 500lux level.*



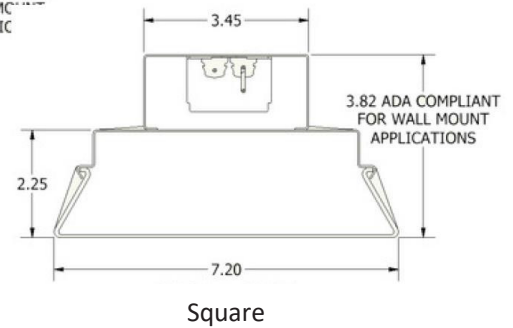
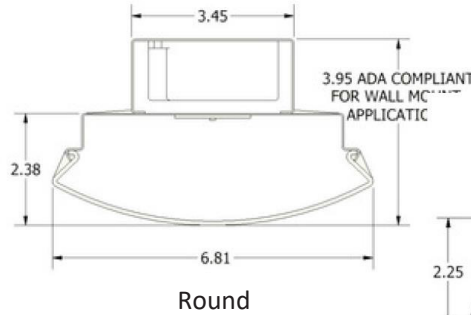
## Ordering

Project: \_\_\_\_\_ Date: \_\_\_\_\_  
 Luminaire Type: \_\_\_\_\_ Approved By: \_\_\_\_\_  
 Product Code: \_\_\_\_\_

Series	Distribution	Mounting	Features	CCT	Size	Diffuser	Finish
VS72	D Direct	AC Adjustable Aircraft Cable (48" Standard)	<b>N</b> Dual Mode <b>W</b> Antimicrobial +Light Mode	<b>30</b> 3000K <b>40</b> 4000K	<b>2</b> 2' <b>3</b> 3' <b>4</b> 4'	<b>R</b> Round <b>S</b> Square	<b>WHT</b> White Antimicrobial Polyester Powder Coat <b>CA</b> Custom Colors (Consult Factory)
		SP Swivel Pendant / Canopy (45"/24" Standard)					
				S Surface W Wall			

Voltage	Options
UNV	
UNV 120/277V	<b>Wiring</b> <b>BP</b> In line fusing

Consult installation instructions for exact dimensions.



## Electrical

Input Frequency	50/60Hz
Power Factor	>.9
Control	On/Off via standard light switch Antimicrobial+Light Mode to Enhanced Antimicrobial Mode (optional) via low voltage switch or controls.

## Performance

Watts/ft	17.5
Lumens/ft	1,078
Lumens/Watt	62

\*Contact factory for custom sizes.  
 Lumen output subject to change upon finalization of product design.  
 Some options may not be available in all combinations.  
 All fixture configurations subject to final factory approval.  
 Vyv will work with your facility to customize a design for lighting and antimicrobial action.  
 Vyv, Inc. reserves the right to upgrade and improve products without notice.

SPECIFICATIONS AND DATA SUBJECT TO CHANGE WITHOUT NOTICE

Updated March 26, 2021